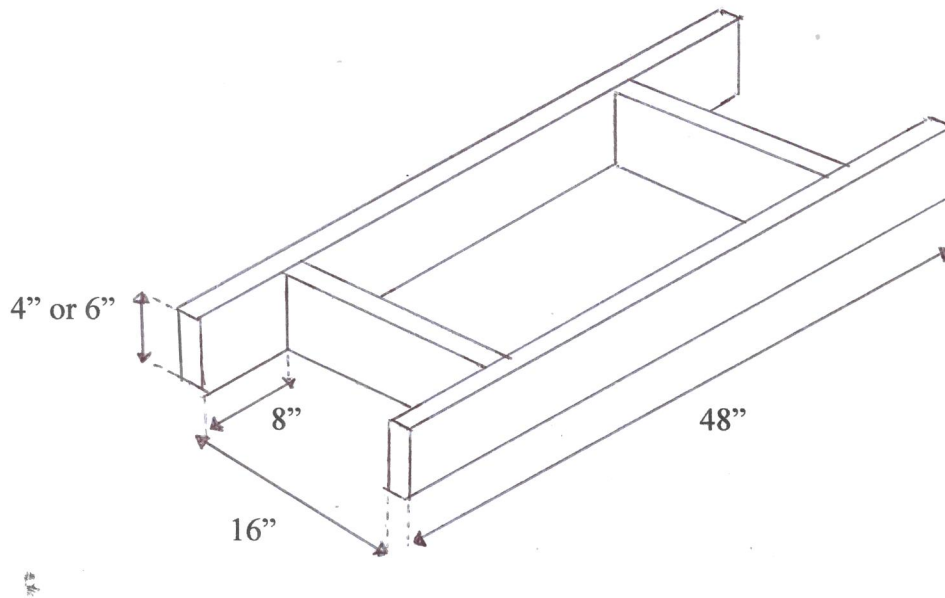


BEE HIVE STAND



This is a very simple hive stand that will hold one or two hives. It should not be placed directly on the ground, but rather should be placed on top of bricks, concrete, or construction blocks.

Placing this stand on four standard size concrete hollow blocks (8x8x16") will place the hive at a height that will help avoid back strain, and place the entry beyond the reach of skunks.

The stand is constructed of treated 2x4" or 2x6" lumber. Two lengths are cut four feet (48") long for the sides. A minimum of two pieces 16" long are required for inner supports. The inner supports may be set six or eight inches in from each end as shown above, and /or they may be set at the end. (forming a rectangle) Setting the inner supports at the ends makes strong corners that are easier to level up.

When building and installing your hive stand, ensure that the finished stand is level and situated in an area that allows you to easily move around the colonies and also free from tripping hazards. If you are placing the stand in your yard, you may need to remove dirt to get a level starting point.

The stand can be nailed, however treated deck screws 3" long are preferred for a stronger hold and are easily removed if the stand needs to be disassembled to transport to your bee yard.

Assemble and install your hive stand in advance of your bees arriving.

This hive stand is one of many options available for your hives. The important key to any hive stand is to have a sturdy level surface that is at a comfortable height, with room around it to safely work your bees.